



Air Conditioning & Heating



**COOLING CAPACITY**  
**24,000 BTU/H TO 57,000 BTU/H**

## PRODUCT SPECIFICATIONS



# SSX16

## 16 SEER / R-410A

### 2- TO 5-TON, HIGH-EFFICIENCY SPLIT SYSTEM AIR CONDITIONER



The Goodman® SSX16 Air Conditioner uses the environmentally friendly refrigerant R-410A, which is chlorine-free to help prevent damage to the ozone layer. This unit features a high-efficiency Copeland® scroll compressor plus energy efficiencies and operating sound levels that are among the best in the heating and cooling industry. The SSX16 is designed for the consumer who desires superior comfort, quiet operation, and environmentally friendly performance.

#### Standard Features

- R-410A environmentally friendly refrigerant
- High-efficiency Copeland® scroll compressor  
Single-Stage — 2 through 4 tons  
Two-Stage — 5 tons
- High-quality compressor sound blanket
- High-pressure switch; low-pressure switch
- Factory-installed filter dryer
- 850-RPM condenser fan motor
- Copper tube/enhanced aluminum fin coil
- Sweat connection service valves with easy access to gauge ports
- Contactor with lug connection
- Ground lug connection
- ARI Certified; ETL Listed

#### Cabinet Features

- Unique Goodman® sound control top design
- Steel louver coil guard
- Heavy-gauge galvanized-steel cabinet
- Attractive Architectural Gray powder-paint finish with 500-hour salt-spray approval
- Top and side compressor and tubing access
- Single-panel access to controls with space provided for field-installed accessories
- When properly anchored, meets 2001 Florida Building Code unit integrity requirements for hurricane-type winds

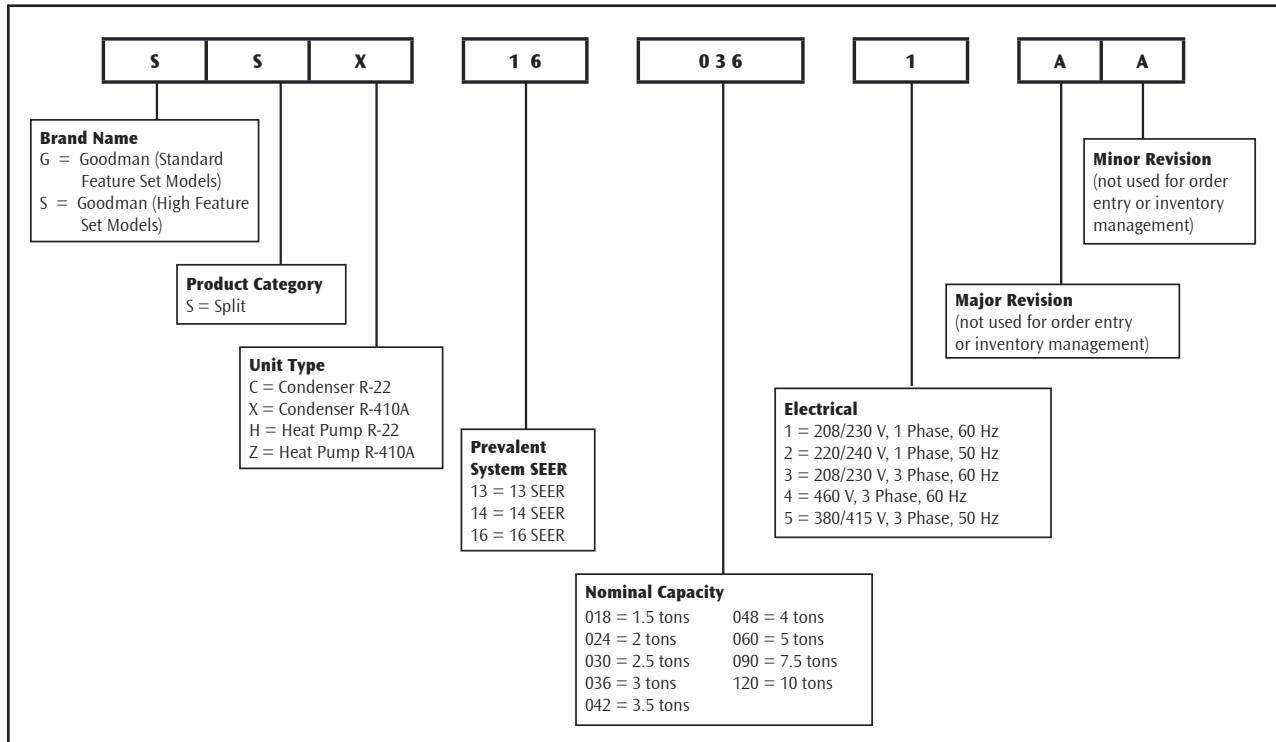
#### Accessories

- See Page 7 for a list of accessories.



# PRODUCT SPECIFICATIONS

## NOMENCLATURE



**Important EnergyStar Notice:** Proper sizing and installation of equipment is critical to achieve optimal performance. Split system air conditioners and heat pumps must be matched with appropriate coil components to meet EnergyStar criteria. Ask your contractor for details or visit [www.energystar.gov](http://www.energystar.gov).

**SPECIFICATIONS**

	<b>SSX16 0241A*</b>	<b>SSX16 0361A*</b>	<b>SSX16 0481A*</b>	<b>SSX16 0601A*</b>
Nominal Cooling (BTU/h)	24,000	36,000	48,000	60,000
Decibels	73.5	73.5	73.5	73.5
<b>Compressor</b>				
RLA	13.4	14.1	19.8	25.6
LRA	58.3	77	109	118
Stages	1	1	1	2
<b>Condenser Fan Motor</b>				
Horsepower (RPM)	1/12	1/6	1/6	1/6
FLA	0.60	1.10	1.10	1.00
<b>Refrigeration System</b>				
Liquid Valve Size ("O.D.) <sup>1</sup>	3/8"	3/8"	3/8"	3/8"
Suction Valve Size ("O.D.) <sup>1</sup>	3/4"	3/4"	7/8"	7/8"
Valve Connection Type	Sweat	Sweat	Sweat	Sweat
Refrigerant Charge	165	160	250	200
<b>Electrical Data</b>				
Voltage-Hz / Phase	208/230-60-1	208/230-60-1	208/230-60-1	208/230-60-1
Minimum Circuit Ampacity <sup>2</sup>	17.4	18.7	25.9	33.0
Maximum Overcurrent Protection Device <sup>3</sup>	30	30	40	50
Min / Max Volts	197/253	197/253	197/253	197/253
Electrical Conduit Size	1/2" or 3/4"			
<b>Ship Weight (lbs)</b>	282	282	282	296

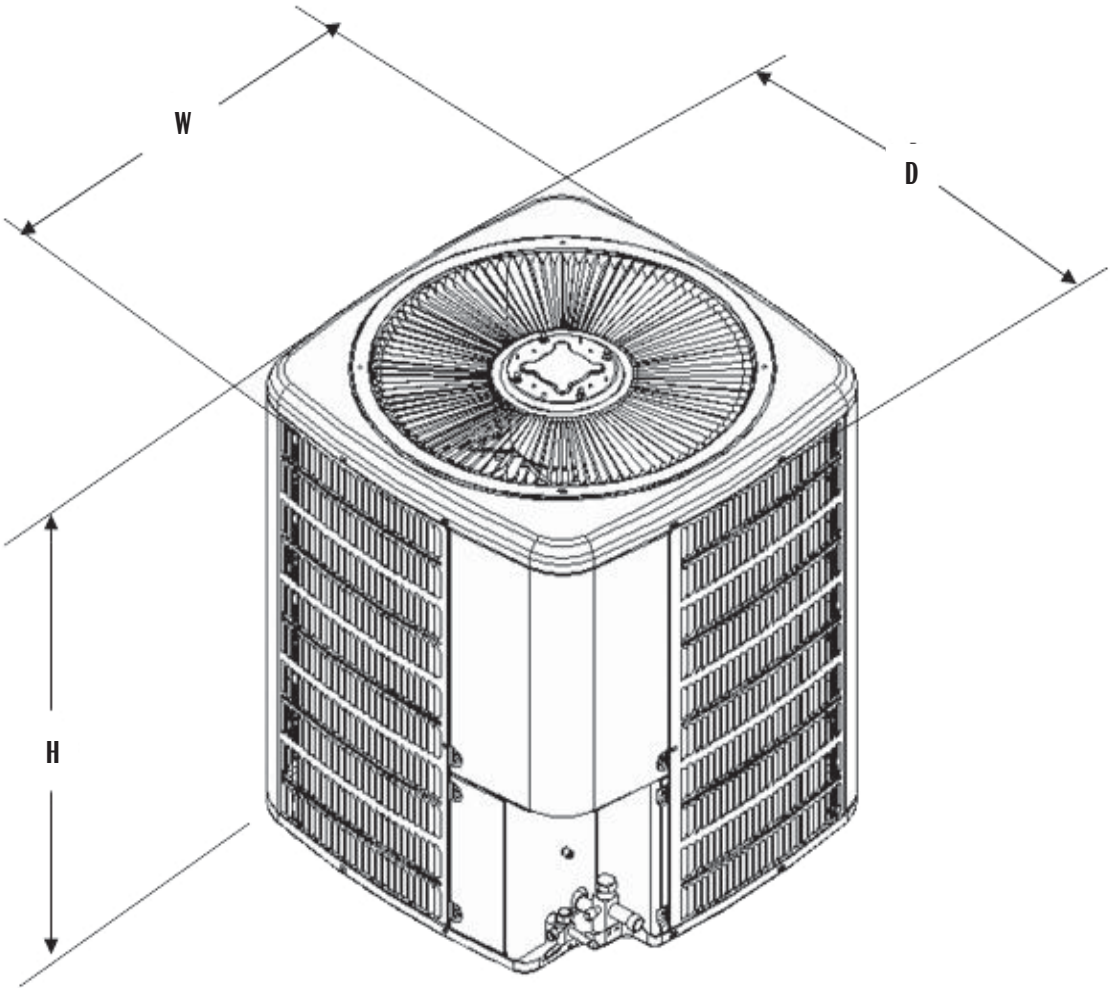
<sup>1</sup> Up to 35' in equivalent line length

<sup>2</sup> Wire size should be determined in accordance with National Electrical Codes; extensive wire runs will require larger wire sizes

<sup>3</sup> Must use time-delay fuses or HACR-type circuit breakers of the same size as noted

# PRODUCT SPECIFICATIONS

## DIMENSIONS



Model	Dimensions
SSX160241A*	29x29x38¼
SSX160361A*	29x29x38¼
SSX160481A*	35½x35½x38¼
SSX160601A*	35½x35½x38¼

PERFORMANCE RATINGS

Outdoor Unit	Indoor Units		Cooling Capacity (BTU/h)				ARI #
	Coil / Blower Model	Furnace	Total	Sensible	SEER <sup>1</sup>	EER <sup>2</sup>	
SSX16 0241A*	AEPF303616B*+TXV		24,000	18,200	16.00	13.50	1285143
	AEPF30361A*+TXV		24,000	18,200	16.00	13.50	1047150
	ASPF303616A*+TXV		24,000	18,200	16.00	13.00	1291791
	CA*F048*4*+MBE1600**-1+TXV		24,000	18,200	16.00	13.50	1047139
	CA*F048*4*+TXV	G*V80905C**	24,000	18,200	16.00	13.50	1047145
	CA*F048*4*+TXV	G*V950704C**	24,000	18,200	16.00	13.50	1047141
	CA*F060*4*+TXV	G*V80905C**	24,000	18,200	16.00	13.50	1047147
	CA*F060*4*+TXV	G*V81155C**	24,000	18,200	16.00	13.50	1047149
	CA*F060*4*+TXV	G*V950704C**	24,000	18,200	16.00	13.50	1047143
	CA*F3636*6A*+MBE1600**-1+TXV		24,000	18,200	16.00	13.50	1047138
	CA*F3636*6A*+TXV		22,600	17,200	15.00	12.50	1289059
	CA*F3636*6A*+TXV	G*V950704C**	24,000	18,200	16.00	13.50	1047140
	CA*F3636*6A*+TXV	G*V80905C**	24,000	18,200	16.00	13.50	1047144
	CA*F3636*6A*+TXV	G*V950453B**	24,000	18,200	16.00	13.50	1289431
	CA*F3642*6A*+TXV	G*V81155C**	24,000	18,200	16.00	13.50	1047148
	CA*F3642*6A*+TXV	G*V950704C**	24,000	18,200	16.00	13.50	1047142
	CA*F3642*6A*+TXV	G*V80905C**	24,000	18,200	16.00	13.50	1047146
	CHPF048*4*+TXV	G*V950704C**	24,000	18,200	16.00	13.50	1047152
	CHPF048*4*+TXV	G*V80905C**	24,000	18,200	16.00	13.50	1047154
	CHPF048*4*+TXV	G*V81155C**	24,000	18,200	16.00	13.50	1047156
	CHPF3636B6A*+EEP+TXV	G*V81155C**	24,000	18,200	16.00	13.50	1047165
	CHPF3636B6A*+EEP+TXV	G*V950704C**	24,000	18,200	16.00	13.50	1047163
	CHPF3636B6A*+EEP+TXV	G*V80905C**	24,000	18,200	16.00	13.50	1047164
	CHPF3642*6A*+TXV	G*V80905C**	24,000	18,200	16.00	13.50	1047153
	CHPF3642*6A*+TXV	G*V81155C**	24,000	18,200	16.00	13.50	1047155
	CHPF3642*6A*+TXV	G*V950704C**	24,000	18,200	16.00	13.50	1047151
	CHPF3642*6A*+TXV	A/G*V81155C**	24,000	18,200	16.00	13.00	1088630
	CHPF3642*6A*+TXV	A/G*V80905C**	24,000	18,200	16.00	13.00	1088629
	CSCF3642N6A*+TXV	G*V80905C**	24,000	18,200	16.00	13.50	1047159
	CSCF3642N6A*+TXV	G*V81155C**	24,000	18,200	16.00	13.50	1047161
	CSCF3642N6A*+TXV	G*V950704C**	24,000	18,200	16.00	13.50	1047157
	CSCF3642N6C*+TXV	G*V80905C**	24,000	18,200	16.00	13.50	1296700
	CSCF3642N6C*+TXV	G*V81155C**	24,000	18,200	16.00	13.50	1296701
CSCF3642N6C*+TXV	G*V950704C**	24,000	18,200	16.00	13.50	1296702	
H60F+TXV	G*V81155C**	24,000	18,200	16.00	13.50	1047162	
H60F+TXV	G*V80905C**	24,000	18,200	16.00	13.50	1047160	
H60F+TXV	G*V950704C**	24,000	18,200	16.00	13.50	1047158	

<sup>1</sup> Seasonal Energy Efficiency Ratio; Certified per ARI 210/240 @ 80°F/ 67°F/ 95°F

<sup>2</sup> Energy Efficiency Ratio @ 80°F/ 67°F/ 95°F

Notes:

- Always check the S&R plate for electrical data on the unit being installed.
- When matching the outdoor unit to the indoor unit, use the piston supplied with the outdoor unit or that specified on the piston kit chart supplied with the indoor unit.
- EEP - Order from Service Dept. Part No. B13707-38 or new Solid State Board B13707-35S. Part No. B13707-38 is not interchangeable with B13707-35S. The Goodman Gas Furnace contains the EEP cooling time delay

# PRODUCT SPECIFICATIONS

## PERFORMANCE RATINGS (CONT.)

Outdoor Unit	Indoor Units		Cooling Capacity (BTU/h)				ARI #
	Coil / Blower Model	Furnace	Total	Sensible	SEER <sup>1</sup>	EER <sup>2</sup>	
SSX16 0361A*	AEPF426016A*+TXV		34,600	27,300	16.00	13.20	1047179
	AEPF426016B*+TXV		34,600	27,300	16.00	13.20	1277837
	ASPF426016A*+TXV		34,600	27,300	16.00	13.00	1291792
	CA*F4860*6A*+MBE1600**-1+TXV		34,000	26,900	16.00	13.00	1047167
	CA*F4860*6A*+MBE2000**-1+TXV		35,000	27,700	16.00	13.50	1047180
	CA*F4860*6A*+TXV		34,000	26,900	14.00	12.00	1289060
	CA*F4860*6A*+TXV	G*V950905D**	35,000	27,700	16.00	13.50	1047166
	CA*F4860*6A*+TXV	G*V951155D**	35,000	27,700	16.00	13.50	1047168
	CHPF060D4*+TXV	G*V951155D**	35,000	27,700	16.00	13.50	1047170
	CHPF4860*6A*+MBE2000**-1+TXV		35,000	27,700	16.00	13.50	1047178
	CHPF4860D6A*+TXV	A/G*V8095C**	34,600	27,300	15.50	12.50	1088632
	CHPF4860D6A*+TXV	A/G*V81155C**	34,600	27,300	15.50	12.50	1088631
	CHPF4860D6A*+TXV	G*E81155C**	34,600	27,300	15.50	12.50	1260277
	CHPF4860D6A*+TXV	G*V951155D**	35,000	27,700	16.00	13.50	1047169
	CHPF4860D6A*+TXV	G*E80905C**	34,600	27,300	15.50	12.50	1277924
	CSCF4860N6A*+TXV	G*V950905D**	35,000	27,700	16.00	13.50	1047171
	CSCF4860N6A*+TXV	G*V951155D**	35,000	27,700	16.00	13.50	1047173
	CSCF4860N6C*+TXV	G*V950905D**	35,000	27,700	16.00	13.50	1296844
	CSCF4860N6C*+TXV	G*V951155D**	35,000	27,700	16.00	13.50	1296845
	H61F+TXV	G*V951155D**	35,000	27,700	16.00	13.50	1047174
H61F+TXV	G*V950905D**	35,000	27,700	16.00	13.50	1047172	
SSX16 0481A*	AEPF426016A*+TXV		46,000	34,500	16.00	13.00	1047181
	AEPF426016B*+TXV		46,000	34,500	16.00	13.00	1277838
	ASPF426016A*+TXV		46,000	34,500	15.50	12.50	1291793
	CA*F4860*6A*+MBE2000**-1+TXV		47,000	35,300	16.00	13.00	1047193
	CA*F4860*6A*+TXV	G*V951155D**	46,000	34,500	16.00	13.00	1047182
	CA*F4860*6A*+TXV	G*V950905D**	46,000	34,500	16.00	13.00	1047183
	CHPF060D4*+TXV	G*V951155D**	46,000	34,500	16.00	13.00	1047188
	CHPF060D4*+TXV	G*V950905D**	46,000	34,500	16.00	13.00	1047186
	CHPF4860*6A*+MBE2000**-1+TXV		47,000	35,300	16.00	13.20	1047184
	CHPF4860*6A*+TXV		45,500	34,100	14.50	12.20	1289415
	CHPF4860*6A*+TXV	G*V951155D**	46,000	34,500	16.00	13.00	1047187
	CHPF4860*6A*+TXV	G*V950905D**	46,000	34,500	16.00	13.00	1047185
	CHPF4860D6A*+TXV	A/G*V81155C**	46,000	34,500	15.50	12.50	1088634
	CHPF4860D6A*+TXV	A/G*V8095C**	46,000	34,500	15.50	12.50	1088635
	CHPF4860D6A*+TXV	G*E8095C**	46,000	34,500	15.50	12.50	1260524
	CHPF4860D6A*+TXV	G*E81155C**	46,000	34,500	15.50	12.50	1260278
	CSCF4860N6A*+TXV	G*V951155D**	46,000	34,500	16.00	13.00	1047191
	CSCF4860N6A*+TXV	G*V950905D**	46,000	34,500	16.00	13.00	1047189
	CSCF4860N6C*+TXV	G*V950905D**	46,000	34,500	16.00	13.00	1296846
	CSCF4860N6C*+TXV	G*V951155D**	46,000	34,500	16.00	13.00	1296847
H61F+TXV	G*V951155D**	46,000	34,500	16.00	13.00	1047192	
H61F+TXV	G*V950905D**	46,000	34,500	16.00	13.00	1047190	

PERFORMANCE RATINGS (CONT.)

Outdoor Unit	Indoor Units		Cooling Capacity (BTU/h)				ARI #
	Coil / Blower Model	Furnace	Total	Sensible	SEER <sup>1</sup>	EER <sup>2</sup>	
SSX16 0601A*	AEPF426016A*+TXV		57,000	42,800	15.50	12.00	1047211
	AEPF426016B*+TXV		57,000	42,800	15.50	12.00	1277839
	CA*F4860*6A*+MBE2000**-1+TXV		57,000	42,800	16.00	12.00	1047196
	CA*F4860*6A*+TXV	G*V950905D**	57,000	42,800	15.50	11.50	1076525
	CA*F4860*6A*+TXV	G*V951155D**	57,000	42,800	15.50	11.50	1047198
	CHPF060D4*+TXV	G*V951155D**	57,000	42,800	15.50	11.50	1047203
	CHPF060D4*+TXV	G*V950905D**	57,000	42,800	15.50	11.50	1047201
	CHPF4860*6A*+MBE2000**-1+TXV		57,000	42,800	15.50	11.50	1047199
	CHPF4860*6A*+TXV	G*V951155D**	57,000	42,800	15.50	11.50	1047202
	CHPF4860*6A*+TXV	G*V950905D**	57,000	42,800	15.50	11.50	1047200
	CHPF4860D6A*+TXV	A/G*V8095C**	56,000	42,000	15.50	12.00	1088637
	CHPF4860D6A*+TXV	A/G*V81155C**	56,000	42,000	15.50	12.00	1088636
	CSCF4860N6A*+TXV	G*V950905D**	57,000	42,800	15.50	11.50	1047204
	CSCF4860N6A*+TXV	G*V951155D**	57,000	42,800	15.50	11.50	1047206
	CSCF4860N6C*+TXV	G*V950905D**	57,000	42,800	15.50	11.50	1296848
	CSCF4860N6C*+TXV	G*V951155D**	57,000	42,800	15.50	11.50	1296849
	H61F+TXV	G*V951155D**	57,000	42,800	15.50	11.50	1047207
	H61F+TXV	G*V950905D**	57,000	42,800	15.50	11.50	1047205

<sup>1</sup> Seasonal Energy Efficiency Ratio; Certified per ARI 210/240 @ 80°F/ 67°F/ 95°F

<sup>2</sup> Energy Efficiency Ratio @ 80°F/ 67°F/ 95°F

Notes:

- Always check the S&R plate for electrical data on the unit being installed.
- When matching the outdoor unit to the indoor unit, use the piston supplied with the outdoor unit or that specified on the piston kit chart supplied with the indoor unit.
- EEP - Order from Service Dept. Part No. B13707-38 or new Solid State Board B13707-35S. Part No. B13707-38 is not interchangeable with B13707-35S. The Goodman Gas Furnace contains the EEP cooling time delay

# PRODUCT SPECIFICATIONS

## ACCESSORIES

Model	Description	SSX16024*	SSX16036*	SSX16048*	SSX16060*
ABK-20	Anchor Bracket Kit ◀	X	X	X	X
ASC-01	Anti-Short Cycle Kit	X	X	X	X
CSR-U-1	Hard-start Kit	X	X		
CSR-U-2	Hard-start Kit		X	X	X
CSR-U-3	Hard-start Kit			X	X
FSK01A <sup>1</sup>	Freeze Protection Kit	X	X	X	X
OT18-60A	Outdoor Thermostat / Lockout Stat	X	X	X	X
TX2N4 <sup>2</sup>	TXV Kit	X			
TX3N4 <sup>2</sup>	TXV Kit		X		
TX5N4 <sup>2</sup>	TXV Kit			X	X

◀ Contains 20 brackets; four brackets needed to anchor unit to pad

<sup>1</sup> Installed on indoor coil

<sup>2</sup> Field-installed, non-bleed, expansion valve kit — Condensing units and heat pumps with reciprocating compressors require the use of start-assist components when used in conjunction with an indoor coil using a non-bleed thermal expansion valve refrigerant metering device.



**Air Conditioning & Heating**

*Goodman Manufacturing Company, L.P., reserves the right to discontinue, or change at any time, specifications or designs without notice or without incurring obligations.*

*Copyright © 2007 • Goodman Manufacturing Company, L.P. • Houston, Texas  
Printed in the USA.*