



Air Conditioning & Heating



PRODUCT SPECIFICATIONS

GSC14

14 SEER

HIGH-EFFICIENCY, 1½-TO 5-TON
SPLIT SYSTEM
AIR CONDITIONER

COOLING CAPACITY:
18,000 – 56,000 BTU/H



The Goodman® GSC14 14 SEER Air Conditioner features a high-efficiency scroll compressor for improved temperature and humidity control and the unique Goodman® sound control top design for quiet operation. In addition, the unit has an attractive louvered metal guard that protects the coil from damage plus a powder-paint finish that provides premium durability and improved UV protection.

Standard Features

- High-efficiency Copeland® scroll compressor with internal pressure relief valve
- Factory-installed liquid line filter dryer
- 850 RPM condenser fan motor
- High-efficiency copper tube/ aluminum fin coil
- R-22 refrigerant charged for 15' of refrigerant line
- Brass liquid and suction line service valves
- Contactor with lug connection
- Ground lug connection
- ARI Listed; ETL Certified

Cabinet Features

- Unique Goodman® sound control top design
- Steel louver coil guard
- Heavy-gauge galvanized-steel cabinet
- Attractive Architectural Gray powder-paint finish with 500-hour salt-spray approval
- When properly anchored, meets the 2001 Florida Building Code unit integrity requirements for hurricane-type winds

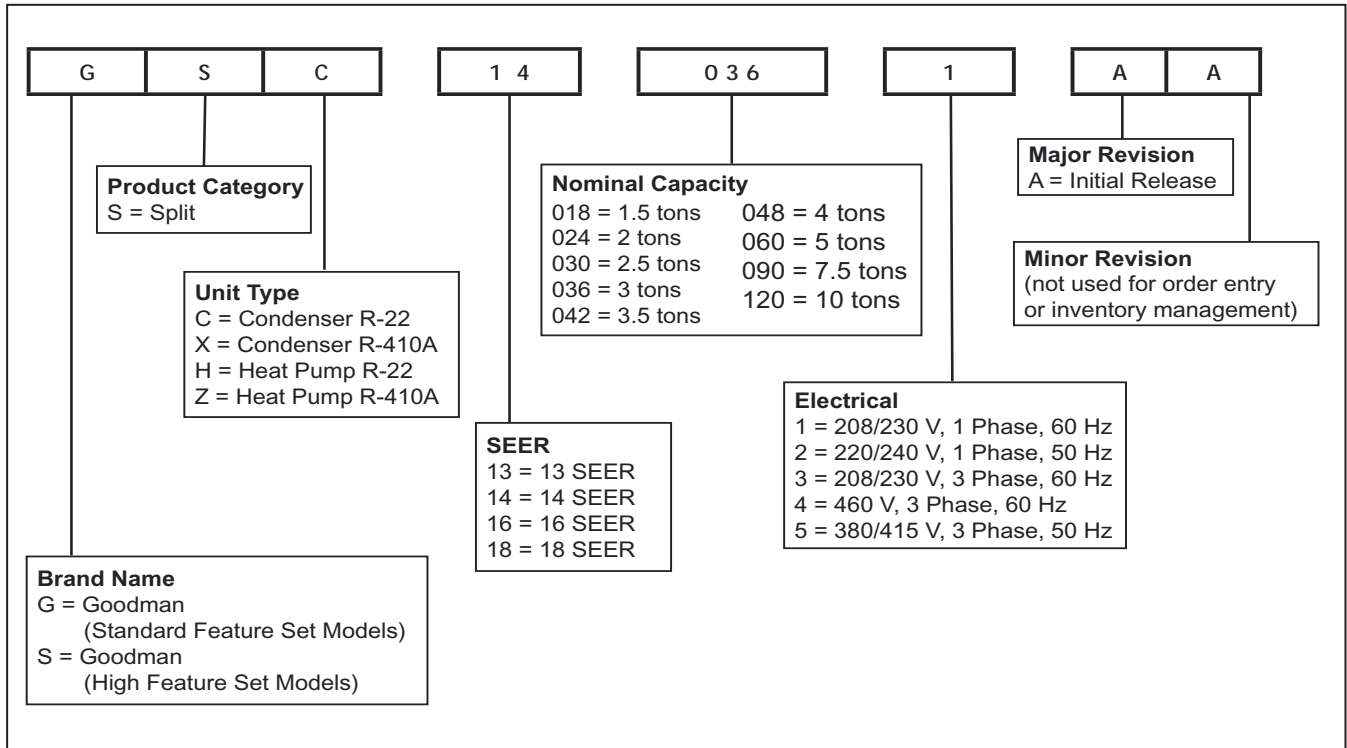
Accessories

- Anti-short cycle kit
- Freeze protection kit
- Low ambient control
- Liquid line Solenoid



PRODUCT SPECIFICATIONS

NOMENCLATURE



SPECIFICATIONS

	GSC14 0181A	GSC14 0241A	GSC14 0301A	GSC14 0361A	GSC14 0421A	GSC14 0481A	GSC14 0601A
Cooling Capacity							
Nominal Cooling (BTUH)	18,000	24,000	28,800	34,600	40,000	46,000	56,000
Decibels	72	72	73	73	75	75	76
Compressor							
RLA	7.7	10.4	12.2	14.1	14.7	19.2	19.8
LRA	40.3	54.0	63.0	68.0	77.0	104.0	137.0
Condenser Fan Motor							
Horsepower (RPM)	1/12		1/6	1/4			
FLA	0.60		1.10	1.50			
Refrigeration System							
Liquid Valve Size ("O.D.)*	3/8"						
Suction Valve Size ("O.D.)*	3/4"			7/8"			
Valve Connection Type	Sweat						
Refrigerant Charge	130.0	135.0	140.0	155.0	180.0	195.0	285.0
Shipped with Orifice Size	0.053	0.061	0.067	0.074	0.078	0.084	0.096
Electrical Data							
Voltage-Hz / Phase	208/230-60-1						
Minimum Circuit Ampacity ¹	10.2	13.7	16.3	19.1	19.9	25.5	26.3
Maximum Overcurrent Device ²	15	20	20	30	30	40	40
Min / Max Volts	197 / 253						
Electrical Conduit Size	1/2" or 3/4"						
Ship Weight (lbs)	178	178	195	199	242	242	280

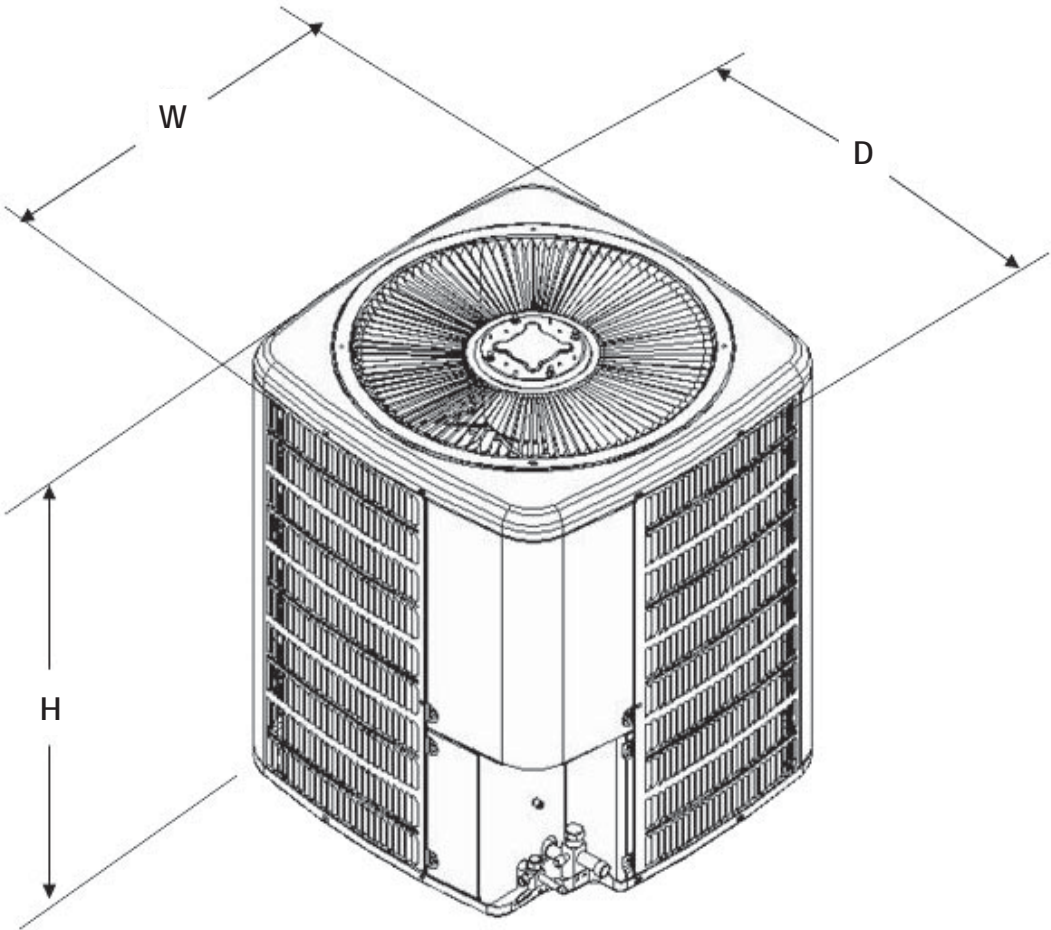
* Up to 35' in equivalent line length

¹ Wire size should be determined in accordance with National Electrical Codes; extensive wire runs will require larger wire sizes

² Must use time-delay fuses or HACR-type circuit breakers of the same size as noted

PRODUCT SPECIFICATIONS

DIMENSIONS



Model	Dimensions W x D x H
GSC140181A	26" x 26" x 32¼"
GSC140241A	26" x 26" x 32¼"
GSC140301A	29" x 29" x 32¼"
GSC140361A	29" x 29" x 34¼"
GSC140421A	35½" x 35½" x 38¼"
GSC140481A	35½" x 35½" x 38¼"
GSC140601A	35½" x 35½" x 38¼"

PERFORMANCE RATINGS

Outdoor Unit	Indoor Unit	Cooling Capacity				ARI Ref #
		Total	Sensible	SEER ¹	EER ²	
GSC14 0181A*	ADPF304216A*+TXV	18,000	12,780	14	12	1032956
	AEPF18301A*+TXV	18,000	12,780	15	12.5	890149
	AEPT030-00*-1	18,000	12,780	15	12.5	890329
	ARPF193116A*+TXV	18,000	12,780	14	12	1038348
	ARUF193116A*+TXV	18,000	12,780	14	12	1038347
	CA*F042*2*+BDK+TXV	18,000	12,780	14	12	890204
	CA*F042*2*+G*V80704B**+TXV	18,400	13,064	15	12.5	890152
	CA*F042*2*+G*V950453B**+TXV	18,400	13,064	15	12.5	890238
	CA*F042*2*+G*V950704C**+TXV	18,400	13,064	15	12.5	890453
	CA*F042*2*+MBE1200**-1+TXV	18,000	12,780	15	12.5	890235
	CA*F042*2*+MBR0800**-1+TXV	18,000	12,780	14	12	890410
	CA*F3131*6A*+EEP+TXV	18,000	12,780	14	12	893748
	CA*F3131*6A*+G*V80704B**+TXV	18,400	13,064	15	12.5	890376
	CA*F3131*6A*+G*V950453B**+TXV	18,400	13,064	15	12.5	890461
	CA*F3131*6A*+MBE1200**-1+TXV	18,400	13,064	15	12.5	890452
	CA*F3131*6A*+MBR0800**-1+TXV	18,000	12,780	15	12.5	890306
	CA*F3131*6A*+TXV+A*V90453B**	18,000	12,780	15	12.5	1046113
	CA*F3131*6A*+TXV+A*V90704C**	18,000	12,780	15	12.5	1046112
	CHPF042B2*+EEP+TXV	18,000	12,780	14	12	890433
	CHPF042B2*+G*V80704B**+TXV	18,000	12,780	15	12.5	890282
	CHPF042B2*+G*V950453B**+TXV	18,000	12,780	15	12.5	890436
	CHPF042B2*+G*V950704C**+TXV	18,000	12,780	15	12.5	890251
	CHPF042B2*+MBE1200**-1+TXV	18,000	12,780	15	12	890068
	CHPF2430B6A*+EEP+TXV	18,000	12,780	14	12	890292
	CHPF2430B6A*+G*V80704B**+TXV	18,000	12,780	15	12.5	890081
	CHPF2430B6A*+G*V950453B**+TXV	18,000	12,780	15	12.5	890176
	CHPF2430B6A*+G*V950704C**+TXV	18,000	12,780	15	12.5	890213
	CHPF2430B6A*+MBE1200**-1+TXV	18,000	12,780	15	12	890396
	CHPF2430B6A*+MBR0800**-1+TXV	18,000	12,780	14	12	890056
	CSCF3036N6A*+EEP+TXV	18,000	12,780	14	12	890261
	CSCF3036N6A*+G*V80704B**+TXV	18,400	13,064	15	12.5	890284
	CSCF3036N6A*+G*V950453B**+TXV	18,400	13,064	15	12.5	890069
	CSCF3036N6A*+G*V950704C**+TXV	18,400	13,064	15	12.5	890425
	CSCF3036N6A*+MBR0800**-1+TXV	18,000	12,780	14	12	890097
H49F+EEP+TXV	18,000	12,780	14	12	890417	
H49F+G*V80704B**+TXV	18,400	13,064	15	12.5	890331	
H49F+G*V950704C**+TXV	18,400	13,064	15	12.5	890039	
H49F+G*V950905D**+TXV	18,400	13,064	15	12.5	890407	
H49F+MBR0800**-1+TXV	18,000	12,780	14	12	890428	

¹ Seasonal Energy Efficiency Ratio

² Energy Efficiency Ratio @ 80 °F/67 °F Inside - 95 °F

Notes:

- When matching the outdoor unit to the indoor unit, use the piston supplied with the outdoor unit or that specified on the piston kit chart supplied with the indoor unit.
- XX of a model designates Electric Heat kilowatts.
- EEP: Order from Service Dept. Part No. B13707-38 or new Solid State Board B13707-35S. Part No. B13707-38 is not interchangeable with B13707-35S. The Goodman Gas Furnace contains the EEP cooling time delay.

PRODUCT SPECIFICATIONS

PERFORMANCE RATINGS (CONT.)

Outdoor Unit	Indoor Unit	Cooling Capacity				ARI Ref #
		Total	Sensible	SEER ¹	EER ²	
GSC14 0241A*	AEPF183016A*	24,000	17,520	15	12.5	1032957
	AEPF303616A*	24,000	17,520	15	12.5	1032958
	AEPT030-00*-1*	24,000	17,520	15	12.5	893770
	AEPT036-00*-1*	24,000	17,520	15	12.5	890139
	ARPF193116A*	24,000	17,520	14	12	1038346
	ARUF193116A*	24,000	17,520	14	12	1038345
	CA*F048*2*+EEP	24,000	17,520	14	12	890138
	CA*F048*2*+G*V80704B**	23,600	17,228	14.5	12	890217
	CA*F048*2*+G*V80905C**	23,600	17,228	15	12.5	890356
	CA*F048*2*+G*V81155C**	23,600	17,228	15	12.5	1008572
	CA*F048*2*+G*V950453B**	23,600	17,228	14.5	12	890030
	CA*F048*2*+G*V950704C**	23,600	17,228	14.5	12	890419
	CA*F048*2*+MBE1200**-1	24,000	17,520	15	12.5	890028
	CA*F048*2*+MBR0800**-1	24,000	17,520	14	12	890225
	CA*F3636*6A*+A*V90704C**	24,000	17,520	15	12.5	1046110
	CA*F3636*6A*+EEP	24,000	17,520	14	12	890080
	CA*F3636*6A*+G*V80704B**	23,600	17,228	14.5	12	890272
	CA*F3636*6A*+G*V950453B**	23,600	17,228	14.5	12	890102
	CA*F3636*6A*+G*V950704C**	23,600	17,228	14.5	12	890147
	CA*F3636*6A*+MBE1200**-1	24,000	17,520	15	12.5	890415
	CA*F3636*6A*+MBR0800**-1	24,000	17,520	14	12	890048
	CA*F3642*6A*+G*V81155C**	23,600	17,228	15	12.5	1008541
	CA*F3642*6A*+G*V950704C**	23,600	17,228	15	12.5	890365
	CHPF048C2*+G*V80704B**	23,600	17,228	14.5	12	1008546
	CHPF048C2*+G*V950453B**	23,600	17,228	14.5	12	1008565
	CHPF048C2*+G*V950704C**	23,600	17,228	14.5	12	1008563
	CHPF3636*6A*+EEP	24,000	17,520	14	12	890232
	CHPF3636*6A*+MBE1200**-1	24,000	17,520	15	12.5	890460
	CHPF3636*6A*+MBR0800**-1	24,000	17,520	14	12	890286
	CHPF3636B6A*+G*V80704B**	23,600	17,228	14.5	12	890183
	CHPF3636B6A*+G*V950453B**	23,600	17,228	14.5	12	890071
	CHPF3636B6A*+G*V950704C**	23,600	17,228	14.5	12	890390
	CHPF3642*6A*	24,000	17,520	14	12	1046111
	CHPF3642*6A*+G*V950704C**	24,000	17,520	15	12.5	1051632
	CHPF3642C6A*	24,000	17,520	14	12	1031770
	CHPF3642C6A*+G*V80905C**	23,000	16,790	15	12.5	890259
	CSCF3036N6A*+EEP	23,600	17,228	14	12	890359
	CSCF3036N6A*+G*V80704B**	23,600	17,228	14.5	12	890168
	CSCF3036N6A*+G*V80905C**	23,600	17,228	15	12.5	890393
	CSCF3036N6A*+G*V81155C**	23,600	17,228	15	12.5	1008568
	CSCF3036N6A*+G*V950453B**	23,600	17,228	14.5	12	890291
	CSCF3036N6A*+G*V950704C**	23,600	17,228	14.5	12	890095
	CSCF3036N6A*+MBR0800**-1	23,600	17,228	14	12	890118
H49F+EEP	23,600	17,228	14	12	890143	
H49F+G*V80704B**	23,600	17,228	14.5	12	890441	
H49F+G*V80905C**	23,600	17,228	15	12.5	890354	
H49F+G*V81155C**	23,600	17,228	15	12.5	1008569	
H49F+G*V950453B**	23,600	17,228	14.5	12	890326	
H49F+MBR0800**-1	23,600	17,228	14	12	890027	

PERFORMANCE RATINGS (CONT.)

Outdoor Unit	Indoor Unit	Cooling Capacity				ARI Ref #
		Total	Sensible	SEER ¹	EER ²	
GSC14 0301A*	AEPF303616A*	28,800	21,600	15	12	1032959
	AEPT036-00*-1*	28,800	21,600	15	12	893764
	ARPF193116A*	28,800	21,600	14	12	1038354
	ARUF193116A*	28,800	21,600	14	12	1038353
	CA*F048*2*+MBE1200**-1	28,800	21,600	15	12.5	890370
	CA*F060*2*	28,800	21,600	14	12	1046116
	CA*F060*2*+G*V80905C**	28,800	21,600	15	12.5	890151
	CA*F060*2*+G*V81155C**	28,800	21,600	15	12.5	890295
	CA*F060*2*+G*V950704C**	28,800	21,600	15	12.5	890247
	CA*F060*2*+MBR1600**-1	28,800	21,600	14	12	890169
	CA*F3636*6A*	28,800	21,600	14	12	1037552
	CA*F3636*6A*+MBE1200**-1	28,800	21,600	15	12.5	890271
	CA*F3642*6A*+EEP	28,800	21,600	14	12	890141
	CA*F3642*6A*+G*V80905C**	28,800	21,600	15	12.5	890254
	CA*F3642*6A*+G*V81155C**	28,800	21,600	15	12.5	890032
	CA*F3642*6A*+G*V950704C**	28,800	21,600	15	12.5	890399
	CA*F3642*6A*+G*V950905D**	28,800	21,600	15	12.5	1032053
	CA*F3642*6A*+MBR1600**-1	28,800	21,600	14	12	890082
	CHPF048*2*+EEP	28,800	21,600	14	12	890363
	CHPF048*2*+G*V950704C**	28,800	21,600	15	12.5	890353
	CHPF048*2*+MBE1600**-1	28,800	21,600	15	12.5	890078
	CHPF048*2*+MBR1600**-1	28,800	21,600	14	12	890075
	CHPF3636B6A*+G*V950453B**	28,800	21,600	15	12.5	1008579
	CHPF3636B6A*+MBE1200**-1	28,800	21,600	15	12.5	890091
	CHPF3642*6A*+EEP	28,800	21,600	14	12	890050
	CHPF3642*6A*+G*V80905C**	28,800	21,600	15	12.5	890269
	CHPF3642*6A*+G*V950704C**	28,800	21,600	15	12.5	890301
	CHPF3642*6A*+G*V950905D**	28,800	21,600	15	12.5	1046114
	CHPF3642*6A*+MBR1600**-1	28,800	21,600	14	12	890293
	CHPF3642C6A*+G*V81155C**	28,800	21,600	15	12.5	1008567
	CHPF3642D6A*+G*V950905D**	28,800	21,600	15	12.5	1032054
	CHPF4860D6A*+EEP	28,800	21,600	14	12	1048650
	CSCF3642N6A*	28,800	21,600	14	12	1046115
	CSCF3642N6A*+G*V80905C**	28,800	21,600	15	12.5	890182
	CSCF3642N6A*+G*V81155C**	28,800	21,600	15	12.5	890231
	CSCF3642N6A*+G*V950704C**	28,800	21,600	15	12.5	890092
	CSCF3642N6A*+MBR1600**-1	28,800	21,600	14	12	890243
	H60F+EEP	28,800	21,600	14	12	890160
	H60F+G*V80905C**	28,800	21,600	15	12.5	890430
	H60F+G*V81155C**	28,800	21,600	15	12.5	890443
H60F+G*V950704C**	28,800	21,600	15	12.5	890351	
H60F+MBR1600**-1	28,800	21,600	14	12	890371	

¹ Seasonal Energy Efficiency Ratio
² Energy Efficiency Ratio @ 80 °F/67 °F Inside - 95 °F

See Notes on Page 5.

PRODUCT SPECIFICATIONS

PERFORMANCE RATINGS (CONT.)

Outdoor Unit	Indoor Unit	Cooling Capacity				ARI Ref #
		Total	Sensible	SEER ¹	EER ²	
GSC14 0361A*	AEPF426016A*	34,600	25,604	15	12.5	1032960
	AEPT060-00*-1*	34,600	25,604	15	12.5	890103
	ARPF374316A*	34,600	25,604	14	12	1046118
	ARUF374316A*	34,600	25,604	14	12	1032056
	CA*F061*2*+EEP	34,000	25,160	14	12	890170
	CA*F061*2*+G*V80905C**	34,600	25,604	14.5	12	890432
	CA*F061*2*+G*V81155C**	34,600	25,604	14.5	12	890345
	CA*F061*2*+G*V950704C**	34,600	25,604	14.5	12	890416
	CA*F061*2*+G*V950905D**	34,600	25,604	14.5	12	890299
	CA*F061*2*+G*V951155D**	34,600	25,604	14.5	12	890296
	CA*F061*2*+MBE1600**-1	35,000	25,900	14.5	12	890099
	CA*F3642*6A*+EEP	34,600	25,604	14	12	1046117
	CA*F4860*6A*+A*V90905D**	34,200	25,308	15	12.5	1046120
	CA*F4860*6A*+EEP	34,000	25,160	14	12	890023
	CA*F4860*6A*+G*V80905C**	34,600	25,604	14.5	12	890172
	CA*F4860*6A*+G*V81155C**	34,600	25,604	14.5	12	890215
	CA*F4860*6A*+G*V90704C**	34,600	25,604	14.5	12	1083281
	CA*F4860*6A*+G*V91155D**	34,600	25,604	15	12.5	1046119
	CA*F4860*6A*+G*V950704C**	34,600	25,604	14.5	12	890067
	CA*F4860*6A*+G*V950905D**	34,600	25,604	14.5	12	890273
	CA*F4860*6A*+G*V951155D**	34,600	25,604	15	12.5	1032051
	CA*F4860*6A*+G*V951155D**	34,600	25,604	14.5	12	890451
	CA*F4860*6A*+MBE1600**-1	35,000	25,900	14.5	12	1033108
	CHPF048D2*+EEP	35,000	25,900	14	12	890392
	CHPF048D2*+G*V81155C**	34,600	25,604	14.5	12	890357
	CHPF048D2*+G*V950905D**	34,600	25,604	15	12	1008570
	CHPF048D2*+G*V951155D**	34,600	25,604	15	12	1008578
	CHPF048D2*+MBE2000**-1	35,000	25,900	15	12.5	890121
	CHPF3642*6A*+G*V80905C**	34,600	25,604	14.5	12	890358
	CHPF3642*6A*+G*V81155C**	34,600	25,604	14.5	12	890114
	CHPF3642*6A*+G*V950704C**	34,600	25,604	14.5	12	890200
	CHPF3642*6A*+G*V951155D**	34,600	25,604	15	12	890378
	CHPF3642C6A*+A*V80704C**	34,200	25,308	15	12.5	1031767
	CHPF3642D6A*+A*V90905D**	34,200	25,308	15	12.5	1032052
	CHPF3642D6A*+EEP	35,000	25,900	14	12	890412
	CHPF3642D6A*+MBE2000**-1	35,000	25,900	14	12	890150
	CHPF4860D6A*+EEP	34,600	25,604	14	12	1048651
	CSCF3642N6A*+EEP	35,000	25,900	14	12	890046
	CSCF4860N6A*+G*V80905C**	34,600	25,604	14.5	12	1008571
	CSCF4860N6A*+G*V81155C**	34,600	25,604	14.5	12	890256
	CSCF4860N6A*+G*V950704C**	34,600	25,604	14.5	12	890263
	CSCF4860N6A*+G*V950905D**	34,600	25,604	14.5	12	890237
CSCF4860N6A*+G*V951155D**	34,600	25,604	14.5	12	890193	
H61F+EEP	35,000	25,900	14	12	890064	
H61F+G*V80905C**	34,600	25,604	14.5	12	1008543	
H61F+G*V81155C**	34,600	25,604	14.5	12	890310	
H61F+G*V950704C**	34,600	25,604	14.5	12	890161	
H61F+G*V950905D**	34,600	25,604	14.5	12	890173	
H61F+G*V951155D**	34,600	25,604	14.5	12	890462	

See Notes on Page 5 or 11.

PERFORMANCE RATINGS (CONT.)

Outdoor Unit	Indoor Unit	Cooling Capacity				ARI Ref #
		Total	Sensible	SEER ¹	EER ²	
GSC14 0421A*	AEPF426016A*	40,000	29,200	15	12.5	1033109
	AEPT060-00*-1*	40,000	29,200	15	12.5	890253
	ARPF374316A*	39,500	28,835	14	12	1033110
	ARUF374316A*	40,000	29,200	14	12	1032055
	CA*F060*2*+MBE2000**-1	40,000	29,200	15	12.5	1008542
	CA*F061*2*+EEP	40,000	29,200	14	12	890031
	CA*F061*2*+G*V80905C**	39,500	28,835	14	12	890459
	CA*F061*2*+G*V81155C**	39,500	28,835	14	12	890289
	CA*F061*2*+G*V950704C**	39,500	28,835	14	12	1008564
	CA*F061*2*+G*V950905D**	40,000	29,200	15	12.5	890051
	CA*F061*2*+G*V951155D**	40,000	29,200	15	12.5	890244
	CA*F061*2*+MBE2000**-1	40,000	29,200	15	12.5	890113
	CA*F3642*6A*+MBE2000**-1	40,000	29,200	14	12	890140
	CA*F4860*6A*+A*V90905D**	40,000	29,200	15	12.5	1046121
	CA*F4860*6A*+A*V91155D**	40,000	29,200	15	12.5	1046122
	CA*F4860*6A*+EEP	40,000	29,200	14	12	1037621
	CA*F4860*6A*+G*V80905C**	39,500	28,835	14	12	890187
	CA*F4860*6A*+G*V81155C**	39,500	28,835	14	12	890130
	CA*F4860*6A*+G*V950704C**	39,500	28,835	14	12	890255
	CA*F4860*6A*+G*V950905D**	40,000	29,200	15	12.5	890096
	CA*F4860*6A*+G*V951155D**	40,000	29,200	15	12.5	1008566
	CA*F4860*6A*+MBE2000**-1	40,000	29,200	15	12.5	890312
	CHPF048D2*+EEP	40,000	29,200	14	12	890166
	CHPF048D2*+MBE2000**-1	40,000	29,200	15	12.5	890366
	CHPF060D2*+G*V81155C**	39,500	28,835	14.5	12	890065
	CHPF060D2*+G*V950905D**	40,000	29,200	15	12.5	1031768
	CHPF060D2*+G*V951155D**	40,000	29,200	15	12.5	890155
	CHPF3642D6A*+EEP	40,000	29,200	14	12	890364
	CHPF4860*6A*+G*V81155C**	39,500	28,835	14.5	12	890145
	CHPF4860*6A*+G*V951155D**	40,000	29,200	15	12.5	890206
	CHPF4860D6A*+G*V950905D**	40,000	29,200	15	12.5	1031769
	CHPF4860D6A*+MBE2000**-1	40,000	29,200	15	12.5	890386
	CSCF3642N6A*+EEP	40,000	29,200	14	12	890175
	CSCF4860N6A*+G*V80905C**	39,500	28,835	14	12	1032961
	CSCF4860N6A*+G*V81155C**	39,500	28,835	14	12	1032962
	CSCF4860N6A*+G*V950704C**	39,500	28,835	14	12	1032963
	CSCF4860N6A*+G*V950905D**	40,000	29,200	15	12.5	890343
	CSCF4860N6A*+G*V951155D**	40,000	29,200	15	12.5	890108
	H61F+EEP	40,000	29,200	14	12	890086
	H61F+G*V80905C**	39,500	28,835	14	12	1032964
	H61F+G*V81155C**	39,500	28,835	14	12	893743
	H61F+G*V950704C**	39,500	28,835	14	12	893771
H61F+G*V950905D**	40,000	29,200	15	12.5	890229	
H61F+G*V951155D**	40,000	29,200	15	12.5	1033111	

See Notes on Page 11.

PRODUCT SPECIFICATIONS

PERFORMANCE RATINGS (CONT.)

Outdoor Unit	Indoor Unit	Cooling Capacity				ARI Ref #
		Total	Sensible	SEER ¹	EER ²	
GSC14 0481A*	ADPF486016A*	45,500	34,125	13.5	11.8	1032965
	AEPF426016A*	46,000	34,500	15	12.5	1032966
	AEPT060-00*-1*	46,000	34,500	15	12.5	890438
	ARPF374316A*	46,000	34,500	14	12	1046123
	ARUF374316A*	46,000	34,500	14	12	1032057
	CA*F061*2*+EEP	46,000	34,500	14	12	890085
	CA*F061*2*+G*V90905D**	45,500	34,125	14	12	890369
	CA*F061*2*+G*V950905D**	45,500	34,125	14	12	890279
	CA*F061*2*+G*V951155D**	45,500	34,125	14	12	890288
	CA*F061*2*+MBE2000**-1	46,000	34,500	15	12.5	890184
	CA*F4860*6A*+EEP	46,000	34,500	14	12	890382
	CA*F4860*6A*+G*V80905C**	45,500	34,125	14	12	1008547
	CA*F4860*6A*+G*V950905D**	45,500	34,125	14	12	890214
	CA*F4860*6A*+G*V951155D**	45,500	34,125	14	12	890034
	CA*F4860*6A*+MBE2000**-1	46,000	34,500	15	12.5	890088
	CHPF060D2*+EEP	46,000	34,500	14	12	890348
	CHPF060D2*+G*V90905D**	45,500	34,125	14	12	890385
	CHPF060D2*+G*V950905D**	45,500	34,125	14	12	890174
	CHPF060D2*+G*V951155D**	45,500	34,125	14	12	890234
	CHPF060D2*+MBE2000**-1	46,000	34,500	15	12.5	890062
	CHPF4860D6A*+EEP	46,000	34,500	14	12	890218
	CHPF4860D6A*+G*V90905D**	45,500	34,125	14	12	890268
	CHPF4860D6A*+G*V950905D**	45,500	34,125	14	12	890203
	CHPF4860D6A*+G*V951155D**	45,500	34,125	14	12	890228
	CHPF4860D6A*+MBE2000**-1	46,000	34,500	15	12.5	890024
	CSCF4860N6A*+EEP	46,000	34,500	14	12	890162
	CSCF4860N6A*+G*V950905D**	45,500	34,125	14	12	890111
	CSCF4860N6A*+G*V951155D**	45,500	34,125	14	12	890332
	H61F+EEP	46,000	34,500	14	12	890077
	H61F+G*V950905D**	45,500	34,125	14	12	890321
	H61F+G*V951155D**	45,500	34,125	14	12	890222

¹ Seasonal Energy Efficiency Ratio

² Energy Efficiency Ratio @ 80 °F/67 °F Inside - 95 °F

Notes:

- When matching the outdoor unit to the indoor unit, use the piston supplied with the outdoor unit or that specified on the piston kit chart supplied with the indoor unit.
- XX of a model designates Electric Heat kilowatts.
- EEP: Order from Service Dept. Part No. B13707-38 or new Solid State Board B13707-35S. Part No. B13707-38 is not interchangeable with B13707-35S. The Goodman Gas Furnace contains the EEP cooling time delay.

PERFORMANCE RATINGS (CONT.)

Outdoor Unit	Indoor Unit	Cooling Capacity				ARI Ref #
		Total	Sensible	SEER ¹	EER ²	
GSC14 0601A*	AEPF426016A*	56,000	40,880	14.35	12	1032967
	AEPT060-00*-1*	56,000	40,880	14.35	12	893760
	ARPF486016A*	56,000	40,880	13.5	11.8	1032968
	ARPT061-00*-1*	56,000	40,880	13.5	11.8	890421
	ARUF061-00*-1*	56,000	40,880	13.5	11.8	890303
	ARUF486016A*	56,000	40,880	13.5	11.8	1032969
	CA*F061*2*+EEP	56,000	40,880	14	12	890205
	CA*F061*2*+G*V90905D**	56,000	40,880	13.5	11.8	890060
	CA*F061*2*+G*V951155D**	56,000	40,880	13.5	11.8	890245
	CA*F061*2*+MBE2000**-1	56,000	40,880	15	12.5	1032970
	CA*F061*2*+MBR2000**-1	56,000	40,880	14	12	1033112
	CA*F4860*6A*+EEP	56,000	40,880	14	12	890333
	CA*F4860*6A*+G*V90905D**	56,000	40,880	13.5	11.8	890137
	CA*F4860*6A*+G*V951155D**	56,000	40,880	13.5	11.8	890424
	CA*F4860*6A*+MBE2000**-1	56,000	40,880	15	12.5	890266
	CA*F4860*6A*+MBR2000**-1	56,000	40,880	14	12	890127
	CHPF060D2*+EEP	56,000	40,880	14	12	890178
	CHPF060D2*+G*V950905D**	56,000	40,880	13.5	11.8	890455
	CHPF060D2*+G*V951155D**	56,000	40,880	13.5	11.8	890319
	CHPF060D2*+MBR2000**-1	56,000	40,880	15	12.5	890252
	CHPF4860D6A*+EEP	56,000	40,880	14	12	890340
	CHPF4860D6A*+G*V950905D**	56,000	40,880	13.5	11.8	890052
	CHPF4860D6A*+G*V951155D**	56,000	40,880	13.5	11.8	890202
	CHPF4860D6A*+MBR2000**-1	56,000	40,880	14	12	890107
	CSCF4860N6A*+EEP	56,000	40,880	14	12	890458
	CSCF4860N6A*+G*V950905D**	56,000	40,880	13.5	11.8	890297
	CSCF4860N6A*+G*V951155D**	56,000	40,880	13.5	11.8	890123
	CSCF4860N6A*+MBE2000**-1	56,000	40,880	15	12	890325
	CSCF4860N6A*+MBR2000**-1	56,000	40,880	14	12	890315
	H61F+EEP	56,000	40,880	14	12	890246
	H61F+G*V950905D**	56,000	40,880	13.5	11.8	890087
	H61F+G*V951155D**	56,000	40,880	13.5	11.8	890122
H61F+MBR2000**-1	56,000	40,880	14	12	890439	

¹ Seasonal Energy Efficiency Ratio

² Energy Efficiency Ratio @ 80 °F/67 °F Inside - 95 °F

Notes:

- When matching the outdoor unit to the indoor unit, use the piston supplied with the outdoor unit or that specified on the piston kit chart supplied with the indoor unit.
- XX of a model designates Electric Heat kilowatts.
- EEP: Order from Service Dept. Part No. B13707-38 or new Solid State Board B13707-35S. Part No. B13707-38 is not interchangeable with B13707-35S. The Goodman Gas Furnace contains the EEP cooling time delay.

PRODUCT SPECIFICATIONS

ACCESSORIES

Model	Description	GSC14 018	GSC14 024	GSC14 030	GSC14 036	GSC14 042	GSC14 048	GSC14 060
ASC01	Anti-Short Cycle Kit	X	X	X	X	X	X	X
CSR-U-1	Hard-start Kit	X	X	X	X			
CSR-U-2	Hard-start Kit				X	X	X	X
CSR-U-3	Hard-start Kit						X	X
FSK01A ¹	Freeze Protection Kit	X	X	X	X	X	X	X
LSK01A	Liquid Line Solenoid Kit	X	X	X	X	X	X	X
OT18-60A	Outdoor Thermostat	X	X	X	X	X	X	X
TX2N2 ²	TXV Kit	X						
TX3N2 ²	TXV Kit		X	X	X			
TX5N2 ²	TXV Kit					X	X	X

¹ Installed on indoor coil

² Field-installed, non-bleed, expansion valve kit



Air Conditioning & Heating

Goodman Manufacturing Company, L.P., reserves the right to discontinue, or change at any time, specifications or designs without notice or without incurring obligations.

*Copyright © 2006 • Goodman Manufacturing Company, L.P. • Houston, Texas
Goodman® brand products are made proudly in the USA.
Printed in the USA.*